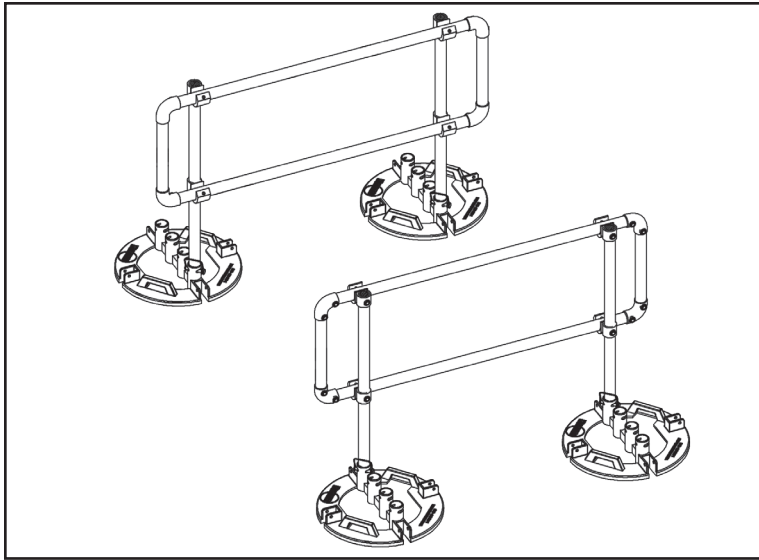


# DynaRound RG Slimline™ Access Point Kit Installation Guide

**Estimated Installation Time:** 2 Man Crew, 30 minutes



Fibergrate's new ballasted rooftop access point system, DynaRound RG Slimline™ Access Point Kit, provides safety and fall protection at ladder access points. DynaRound RG Slimline Access Point Kit is made of durable, weather-resistant fiberglass reinforced plastic (FRP) composite uprights and rails and galvanized steel base weights. This system meets applicable safety standards in the U.S. and Canada to protect people working at heights.

## TOOLS REQUIRED

- 25' Tape measure and marking tools or scribe**
- Torque wrench of up to 20 lb-ft or 240 lb-in capacity with 5/16" Allen Key Socket**
- Removable thread locking compound (such as Blue Loctite)**
- The installer is responsible for job site safety and lifting equipment required**

**NOTE:** Cuts and drilled holes must be sealed to maintain corrosion protection.

## IMPORTANT

Read these instructions completely before attempting to install the DynaRound RG Slimline Access Point Kit. It is important to understand the installation procedure thoroughly prior to beginning work. It is the installer's responsibility to carefully follow fabrication and installation plans and instructions to ensure design performance characteristics of the DynaRound RG Slimline Access Point Kit. The installer could be liable for claims that result from improper installation.

## ASSEMBLY INSTRUCTIONS

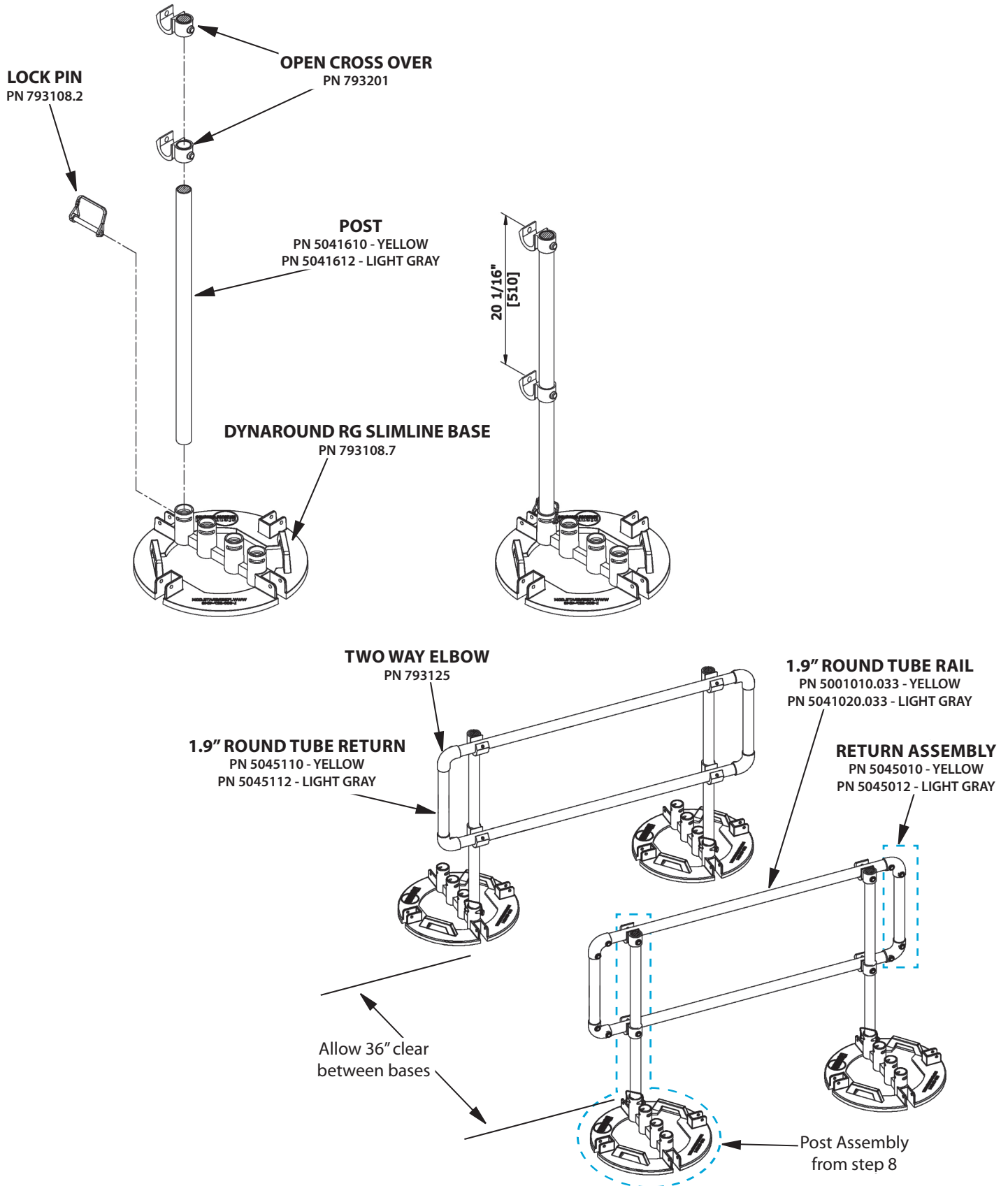
1. Inspect and inventory all DynaRound RG Slimline Access Point Kit components and compare to the packing list or bill of materials to verify that all materials are available for installation. Contact Fibergrate at 1-800-427-4043 to report any missing or damaged material.
2. Inspect the roof to verify that the area where the Access Point Kit is to be used is prepared for installation. Remove any debris/obstructions in the installation area and verify all field dimensions prior to assembling the Access Point Kit.
3. Verify that the locations where the posts will be placed are free of debris and that the roof surface has been protected as directed by the roofing manufacturer. Most roofing manufacturers recommend placing a loose patch of the roofing material (slip sheet) between the building roof and any object which contacts it.
4. Prior to beginning installation, it will save time to pre-assemble the Open Cross Over (PN 793201) to the Posts (PN 5041610 Yellow/PN 5041612 Light Gray) in the positions indicated on the drawing on page 3. The upper Open Cross over should be flush with the top of the post (the capped end) and the second one 20-1/16 inches (510 mm) below the top of the post. Insure that they are oriented correctly and not rotated relative to each other on the post. Only snug the set screws as required to hold the fittings in place.

# Installation Instructions

5. Locate the centerline of the ladder or other roof access where the Access Point Kit is to be installed. Measure 18 inches (457 mm) on either side of that centerline and mark the roof to locate the 36-inch-wide (914 mm) clear path for the access point. The path should be perpendicular to the edge of the roof.
6. Place the DynaRound Slimline bases oriented as shown in the drawing on page 4. The edges of the bases should be touching the 36 inch (914 mm) wide clear walkway and be spaced from 48 inches to 60 inches (1219 – 1524 mm) apart along the walkway. These locations can be fine adjusted later in the installation process if needed.
7. If there is no parapet present, the bases closest to the roof edge should be set back a minimum of 12 inches (305 mm) from the edge. If there is a parapet, the base adjacent to it should be placed as close to the parapet as possible.
8. Install the Post/Open Cross Over assemblies from step (4) into the opening in the base closest to the 36-inch-wide walkway and secure in place using the Steel Lock Pin (PN 793108.2) as shown in the drawing on page 3. Be sure that the wire retainer of the Lock Pin is engaged. The Open Cross Overs should be oriented so that the horizontal rails are on the walkway side of the guardrail as shown in the drawing on page 4.
9. Install the 67-3/4-inch-long (1721 mm) sections of 1.9-inch OD FRP tube (PN 5001010.033 Yellow/ PN 5001020.033 Light Gray) top and mid-rails through the Open Cross Over fittings on the posts as shown in the drawing on page 4. Temporarily torque the set screws only as required to hold the rails in place to allow for adjustment later.
10. Referring to the drawing on page 4, connect the two ends of the 1.9-inch OD FRP tube using the Return Assembly (PN 5045010 Yellow/PN 5045012 Light Gray), which consists of a length of 1.9-inch OD FRP tube (PN 5045110 Yellow/PN 5045112 Light Gray), and two - Two Way Elbows (PN 793125). Temporarily torque the set screws only as needed to hold the fittings in place to allow for adjustment later.
11. After the initial assembly, go back and verify that all parts are installed per the drawings on page 4. The Return Assembly closest to the roof edge should be aligned with the roof edge or guardrail at the roof edge. Adjust the 1.9-inch OD FRP tube rails as needed to achieve this.
12. To complete the installation, go back and apply thread locking compound to all set screws at the Open Cross Overs, and torque the set screws to 7.5 lb-ft (10.1 N-m).
13. After installation, the system can be inspected by the owner or the owner's engineer and accepted. A written log of the final inspection and acceptance should be kept by the owner.
14. The installed system should be inspected annually by a qualified inspector or Fibergrate representative. This inspection should include checking the fittings for looseness, checking for corrosion of the fittings, checking that the minimum setback from the roof edge is maintained, and inspecting the 1.9 inch OD FRP tubes for any signs of damage. Any corrective actions required by this inspector must be immediately implemented or the DynaRound RG Slimline Access Point Kit should be clearly tagged as unsafe for use until repairs are implemented. Written logs should be kept of every inspection and any corrective actions documented.

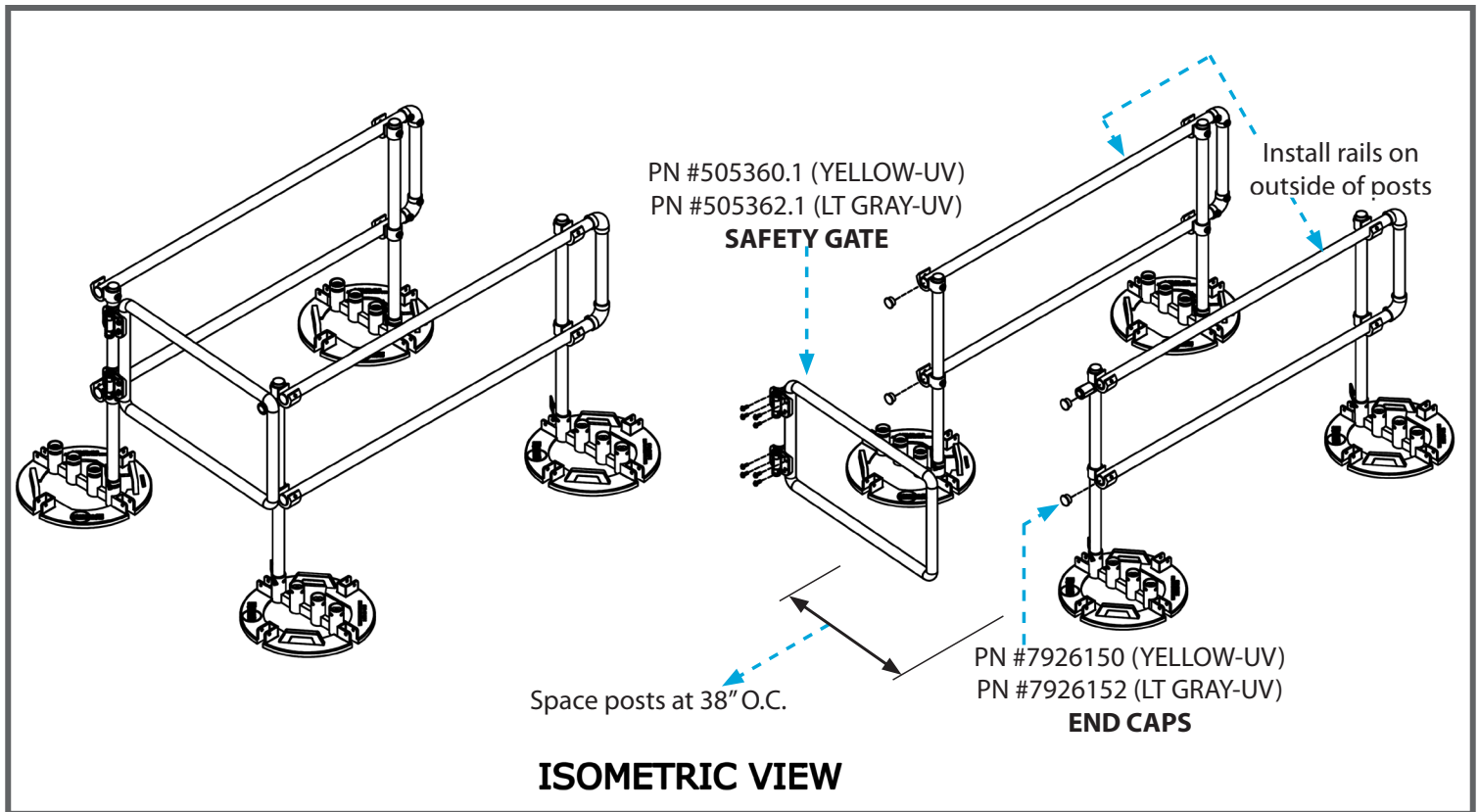
# DynaRound RG Slimline™ Access Point Kit

## ASSEMBLY INSTRUCTIONS ILLUSTRATION



# DynaRound RG Slimline™ Access Point Kit

## Instructions for Adding a Safety Gate to the DynaRound RG Slimline Access Point Kit



## ASSEMBLY INSTRUCTIONS

1. Remove or omit the 1.9" Round Tube Return Assemblies from the ends of the Access Point opposite the parapet or roof edge.
2. Install Open Cross Overs (PN 793201) and the 1.9" Round Tube Rails (5001010.033 YL or 5041020.033 LG) on the outside of the post assemblies (PN 504100 YL or 5041002 LG) as shown in the illustration to prevent interference with Safety Gate installation/operation.
3. Move the posts where the Safety Gate is to be attached so that the ends of the rails are flush with the ends of the Open Cross Overs and cap the ends of the rails using four End Caps (PN 7926150 YL or 7926152 LG).
4. Prior to installing the Safety Gate, space the two Access Point Rail Assemblies so that the posts are spaced at 38 inches from center to center.
5. Install the DynaRound Safety Gate Kit – 36" Opening (PN 505360.1 YL or 505362.1 LG) per the instructions provided with the kit.



Phone: 972-250-1633  
Fax: 972-250-1530



[www.fibergrate.com](http://www.fibergrate.com)



[info@fibergrate.com](mailto:info@fibergrate.com)

Fibergrate Composite Structures Inc. believes the information contained here to be true and accurate. Fibergrate makes no warranty, expressed or implied based on this literature and assumes no responsibility for consequential or incidental damages in the use of these products and systems described, including any warranty of merchantability or fitness. Information contained here is for evaluation only.  
©Fibergrate Inc. 2020 - DynaRound-RG-Slimline-Access-Point-Kit-Installation-Instructions.pdf

