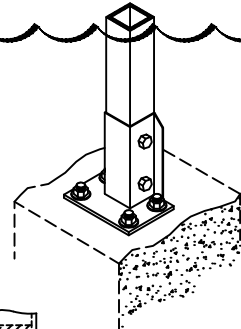


PLAN VIEW

Go to 3 1/2" min edge dist as default. But it can be 2 3/8" if the post spacing is no greater than 4'-0" and anchor min embed changed to 5 1/4". This will apply to most concrete stairs.

6" embedment when at edge of Concrete



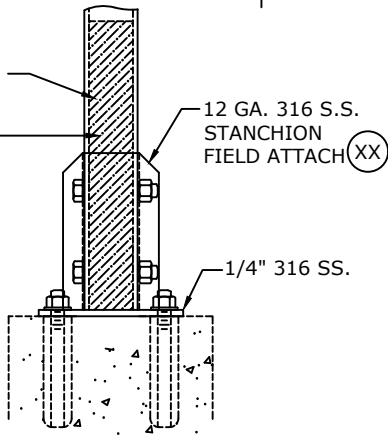
ISOMETRIC

2 1/8"x2 1/8"x3/16" SQ. TUBE

11 1/2" LG. POST STIFFENER

12 GA. 316 S.S. STANCHION FIELD ATTACH (XX)

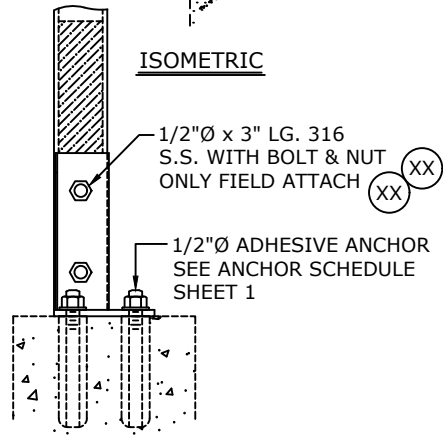
1/4" 316 SS.



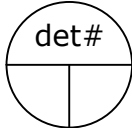
FRONT VIEW

1/2"Ø x 3" LG. 316 S.S. WITH BOLT & NUT ONLY FIELD ATTACH (XX)

1/2"Ø ADHESIVE ANCHOR SEE ANCHOR SCHEDULE SHEET 1



SIDE VIEW



DETAIL- STAINLESS STEEL STANCHION BASE



SHEET TITLE:
 SYSTEM: SQUARE TUBE GUARDRAIL
 LAYOUT: STAINLESS STEEL STANCHION BASE (TOP MOUNT CONCRETE ATTACHMENT)
 POST SPACING: N/A
 RETURN CONDITION: N/A

SCALE:
 NTS
 DRAWING No.:
 DWG NO. 36