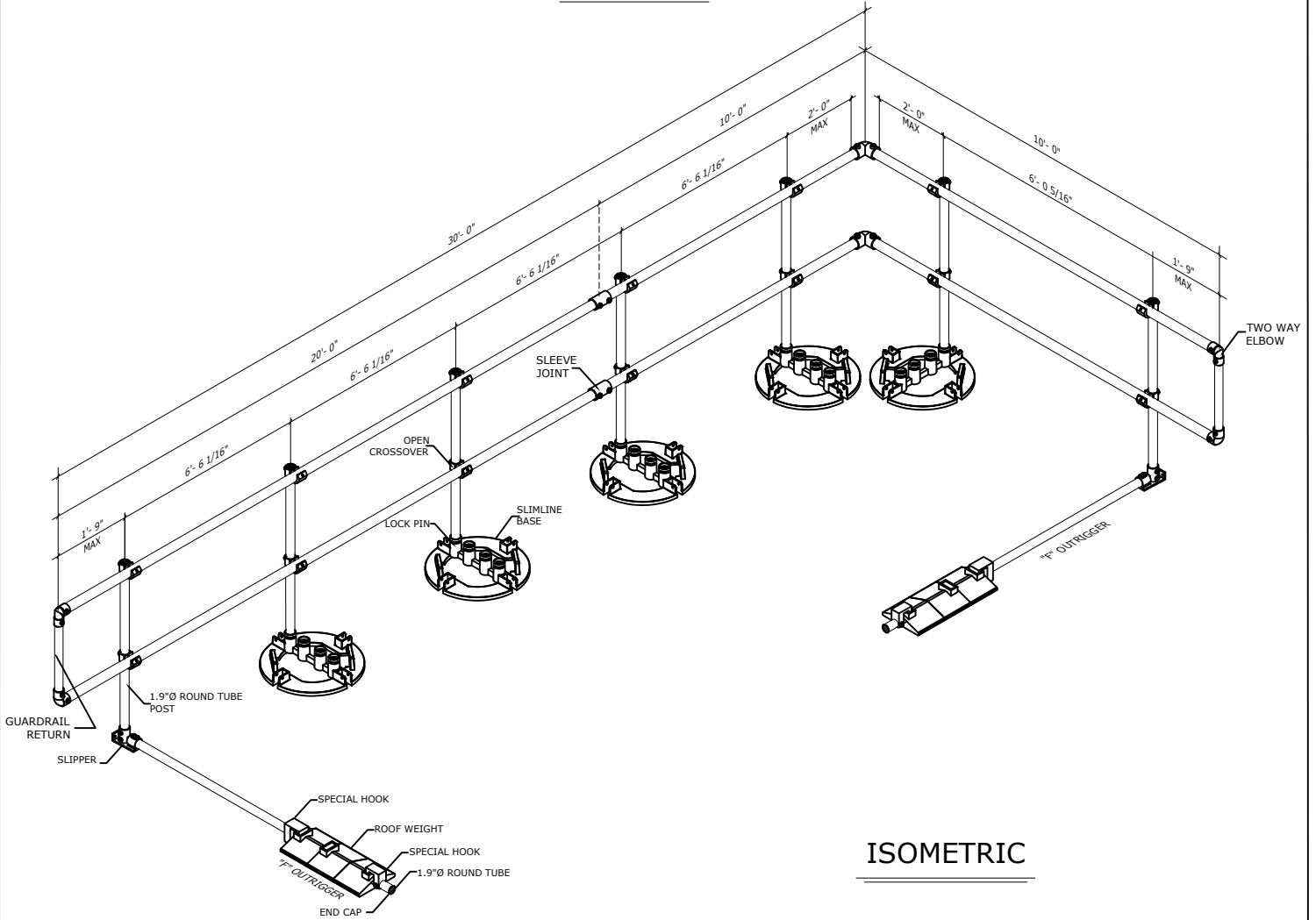


PLAN VIEW



ISOMETRIC



SHEET TITLE:  
 SYSTEM: DYNAROUND RG SLIMLINE  
 LAYOUT: 30'X10'  
 POST SPACING: 8'  
 RETURN CONDITION: "F" OUTRIGGER ASSEMBLY

SCALE:  
 NTS  
 DRAWING No.:  
 DWG NO. 28