

DynaRound™ Hatch Guard System Installation Instructions

Estimated Installation Time: 2 Man Crew, 60 - 90 Minutes

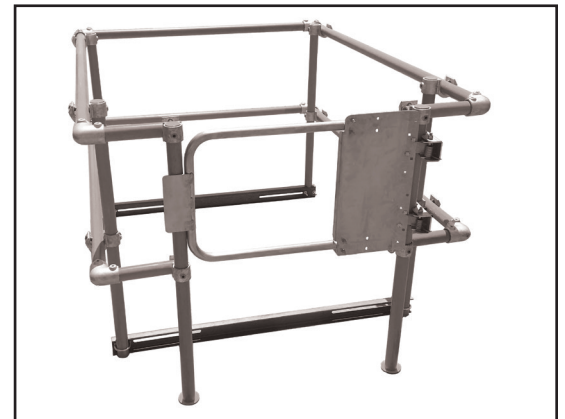
The DynaRound Hatch Guard System is designed to protect all rooftop hatch entry and exit points. This non-penetrating system is easily installed and can be used both temporarily and preeminently depending on need. The FRP railings and galvanized fittings ensure a long service life.

INSTALLATION INSTRUCTIONS ARE FOR:

- PN 5041210 DynaRound Hatch Guard –Fits Hatches 30-36 inches x 30-54 inches**
- PN 5041310 DynaRound Hatch Guard –Fits Hatches 30-36 inches x 96-114 inches**
- PN 5041410 DynaRound Hatch Guard –Fits Hatches 42-48 inches x 42-60 inches**

TOOLS REQUIRED

- 5/16-inch Hex (Allen) Wrench**
- 5/16-inch Hex Drive Socket (to fit torque wrench)**
- Torque wrench 5 – 50 lb-ft range (6.8 –67.6 N-m)**
- Socket Set with extensions – SAE (inches)**
- Open End Wrench Set – SAE (inches)**
- Marker or Pencil**
- 25-foot tape measure**
- Blue (removable) thread locking compound**



NOTE: Cuts and drilled holes must be sealed to maintain corrosion protection.

IMPORTANT

Read these instructions completely before attempting to install the DynaRound Hatch Guard. It is important to understand the installation procedure thoroughly prior to beginning work. It is the installer's responsibility to carefully follow fabrication and installation plans and instructions to ensure design performance characteristics of the DynaRound Hatch Guard. The installer could be liable for claims that result from improper installation.

ASSEMBLY INSTRUCTIONS:

1. Inspect and inventory all components of the DynaRound Hatch Guard and compare to the bill of materials listed on the first page of the drawings to verify that all materials are available for installation. Contact Fibergrate at 1-800-427-4043 to report missing material and obtain replacements.
2. Read these instructions and study the drawings (pages 3-5) thoroughly before attempting to install the DynaRound Hatch Guard. Be sure you are referring to the correct drawings for the Hatch Guard being installed.
3. Inspect the hatch and surrounding roof area where the DynaRound Hatch Guard is to be installed. Remove any debris or obstructions in the installation area and verify all field dimensions and conditions prior to assembling and installing the Hatch Guard.
4. It is recommended to assemble the Hatch Guard adjacent to the hatch, then lift it over the hatch and clamp the Hatch Guard in place. Prepare a suitable assembly area adjacent to the hatch and protect the roof in that area following the roofing manufacturer's recommendations
5. While the components of the DynaRound Hatch Guard which contact the roof are designed not to damage roofing materials, it is recommended that the roof manufacturers recommendations be followed for protecting the roofing material from abrasion damage at any location where the Hatch Guard contacts the roof.
6. Attach two Item (7) Angle Bracket into the long slots in each Item (6) Hatch Channels using 3/8" diameter nuts, bolts, and washers, Items (9) – (11). Install item (7) on the flange side of the channels as shown in the plan view. Build two sub-assemblies. Do not torque the bolts at this time, allowing the Angle Bracket to slide freely in the slot in the Hatch Channel.

Installation Instructions

7. Assemble two Item (15) Posts to each Item (6) Hatch Channel. Attach the Posts in the semi-circular cut-outs in the ends of the Hatch Channels using one each Item (8) 3/8" x 4" U-Bolts with 3/8" nuts and washers. Install Item (15) Post with the plug end up and the open, bottom end flush with the bottom of Item (6) Hatch Channel. Apply blue thread locking compound to the threads and torque the bolts to 40 lb-ft (54.1 N-m). Cap the bottom of each post with one each Item (4) Yellow Flanged Plug.
8. Install two Item (1) Open Cross Over to each post as shown in Section D-D on page 3 of 4 of the drawings. The upper Open Cross Over should be flush with the top of the post. The lower Open Cross Over should be installed 20 inches below the top of the post. Torque the set screws only as needed to hold the Open Cross Overs in place. They may require adjusting later in the assembly process.
9. Mark each of the four longest sections of 1.9" Diameter Round Tube (Item (13) for PN 5041210, Item (16) for PN 5041310, and Item (19) for PN 5041410) at 6 inches from one end.
10. Stand up the two post/channel assemblies oriented as they will be in the final assembly (flanges of the Item (6) Channel facing each other). Locate them approximately the maximum distance apart as shown in the drawings. Place the four long sections of 1.9" Diameter Round Tube into the Open Cross Overs and align the rails so that the center of the post opposite the gate is aligned with the marks made in Step 7. After checking that the post channel assemblies are plumb and properly aligned, torque the set screws in the Open Cross Overs only as needed to hold the 1.9" Diameter Round Tube in place.
11. Install the two 1.9" Diameter Round Tube Rails (Item (14) for PN 5041210, Item (14) for PN 5041310, and Item (20) for PN 5041410) on the side of the Hatch Guard opposite the gate using four each of Item (2) Two Way Elbow. Torque the set screws in the Two-Way Elbows only as needed to hold the 1.9" Diameter Round Tube in place.
12. Assemble the remaining two Item (15) Posts by adding two each Item (1) Open Cross Over as shown in Section A - A of the drawings. The upper Open Cross Over should be flush with the top of the post. The lower Open Cross Over should be installed 20 inches below the top of the post. Cap the bottom of each post with one each Item (4) Yellow Flanged Plug.
13. Following the layout shown in Section A - A, connect the two assembled Item (15) Posts to the ends of the rails installed in Step (9) using Items (2) Two Way Elbows and the four short sections of 1.9" Diameter Round Tube (Item (12) for PNs 5041210 and 5041310, Item (18) for PN 5041410). Torque all set screws only as needed to hold the assembly in place.
14. Assemble and install Item (5) Self Closing Gate 30"-36" following the instructions provided with the gate. The gate is clamped to the right-hand Item (15) Post when facing the opening in the Hatch Guard from the outside. Adjust the posts and the gate as needed to achieve satisfactory operation of the gate.
15. Using a minimum of two people, lift the assembled Hatch Guard over the hatch and position the hatch so that it falls between the post/channel assemblies. Orient the Hatch Guard so that the self-closing gate faces the open side of the hatch.
16. Push the assembled Hatch Guard so that the post/channel assembly that is opposite the gate bears against the hatch body. Insure that the Hatch Guard is centered on the hatch body. Slide the two Item (7) Angle Brackets until they just contact the hatch body. Apply blue thread locking compound to the bolt threads and torque the bolts to 40 lb-ft (54.1 N-m).
17. Loosen the set screws in the Open Cross Overs on the post/channel assembly adjacent to the Self Closing Gate and slide the post channel assembly until it bears against the hatch body. Re-torque the set screws in the Open Cross Overs to hold the post/channel assembly in place. Slide the two Item (7) angle brackets until they just contact the hatch body. Apply blue thread locking compound to the bolt threads and torque the bolts to 40 lb-ft (54.1 N-m).
18. Insure that the self-closing gate operates properly and adjust where required. Check the opening of the hatch door to ensure that the Hatch Guard does not interfere with its operation. Adjust as the Hatch Guard needed to clear the interference.
19. Once correct operation of the Hatch Guard is achieved, all set screws in the (1) Open Cross Overs and (2) Two Way Elbows should have thread locking compound applied to them and be torqued to 7.5 lb-ft (10.1 N-m)
20. The installed system should be inspected annually by a qualified inspector. The inspection should include checking the set screws for correct torque, checking for corrosion of the metallic fittings, inspecting the 1.9" diameter FRP tubes for signs of damage, and checking the self-closing gate for correct operation. Any corrective actions required by this inspector must be implemented immediately or the Hatch Guard should be clearly tagged as unsafe for use. Written logs should be kept of every inspection and any corrective actions documented.

Installation Drawings

DYNAROUND HATCH GUARD 30 - 36 X 30 - 54 - PN 5041210

PLAN VIEW

**DynaRound RG Hatch Guard
30-36 x 30-54**

PN 5041210 (ASSEMBLY)
FIND ELECTRIC COPY AT:
\\stv-dc\DATA\Engineering\Fabrication Engineering\ECN

Material Requirements for 5041210

ITEM NO.	QTY REQ'D	PART NUMBER	DESCRIPTION
15	6	UTILIZE	1.9"Ø Round Tube - UV Coated (Parent PN 5001010)
14	2	UTILIZE	1.9"Ø Round Tube - UV Coated (Parent PN 5001010)
13	4	UTILIZE	1.9"Ø Round Tube - UV Coated (Parent PN 5001010)
12	4	UTILIZE	1.9"Ø Round Tube - UV Coated (Parent PN 5001010)
11	12	785200	3/8" Ø Washer
10	12	784200	3/8" Ø Nut
9	4	754520	3/8" Ø x 1 Lg. Bolt
8	4	793114	McMaster 3/8"Ø x 4" U-Bolt Zinc Plated PN 8875T858
7	4	793112	Garlock Angle Bracket Zinc Dichromate
6	2	793110	Garlock Hatch Channel - 53.25" Galvanized
5	1	793115	Garlock Self Closing Gate 30"-36" Yellow
4	6	793113	Caplugs Yellow Flanged Plug WWX-17
3	10	7926150	End Cap - UV Coated
2	8	793125	Two Way Elbow
1	12	793201	Open Cross Over

WEIGHT = 152 LBS

REV	DESCRIPTION	DATE	BY
0	ECN 173	09/20/17	CS

HATCH GUARD

SCALE: N.T.S. DATE: 09/20/17 DRAWN: CS

DRAWING NUMBER: **5041210** SHEET: 1 OF 4

ELEVATION

WEIGHT = 152 LBS

REV	DESCRIPTION	DATE	BY
0	ECN 173	09/20/17	CS

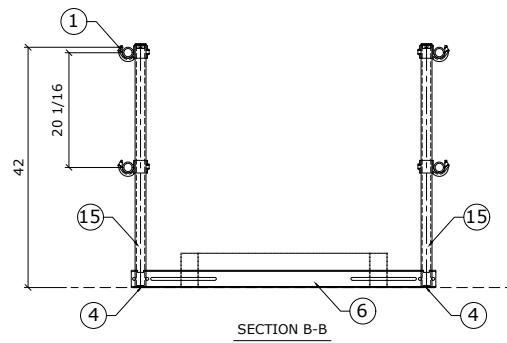
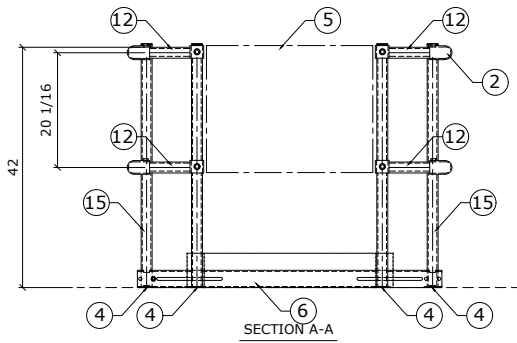
HATCH GUARD

SCALE: N.T.S. DATE: 09/20/17 DRAWN: CS

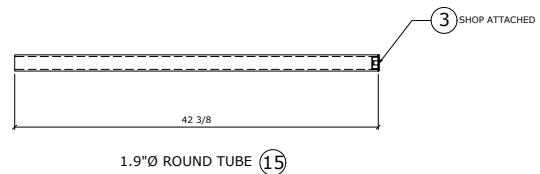
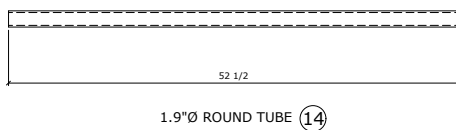
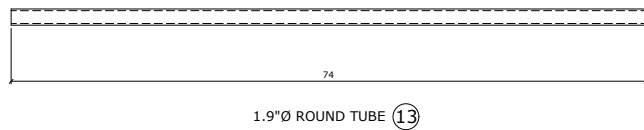
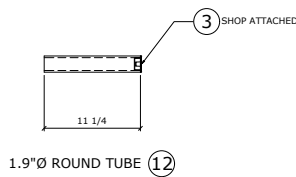
DRAWING NUMBER: **5041210** SHEET: 2 OF 4

Installation Drawings

DYNAROUND HATCH GUARD 30 - 36 X 30 - 54 - PN 5041210 (CONTINUED)



REV	DESCRIPTION	DATE	BY	HATCH GUARD			
0	ECN 173	09/20/17	CS	SCALE	N.T.S.	DATE: 09/20/17	DRAWN: CS
				DRAWING NUMBER	5041210		SHEET 3 OF 4



REV	DESCRIPTION	DATE	BY	HATCH GUARD			
0	ECN 173	09/20/17	CS	SCALE	N.T.S.	DATE: 09/20/17	DRAWN: CS
				DRAWING NUMBER	5041210		SHEET 4 OF 4

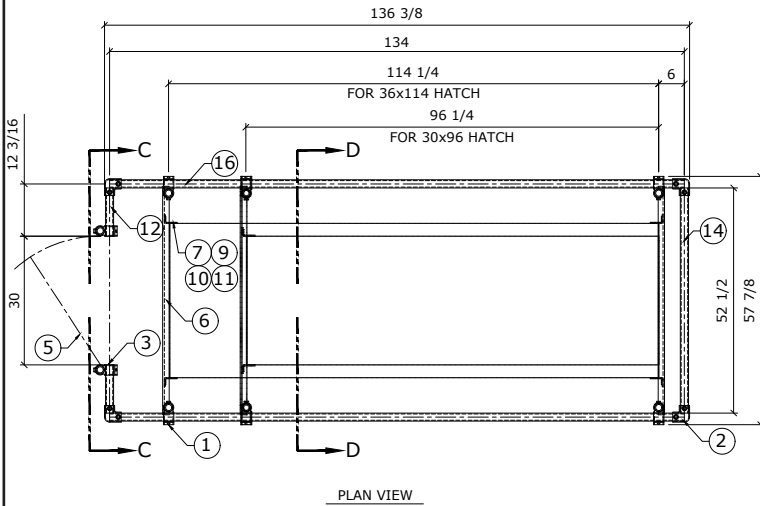
Installation Drawings

DYNAROUND HATCH GUARD 30 - 36 X 96 - 114 - PN 5041310

DynaRound RG Hatch Guard - 30-36 x 96-114

PN 5041310 (ASSEMBLY)

FIND ELECTRIC COPY AT:
 \\stv-dc\DATA\Engineering\Fabrication Engineering\ECN



PLAN VIEW

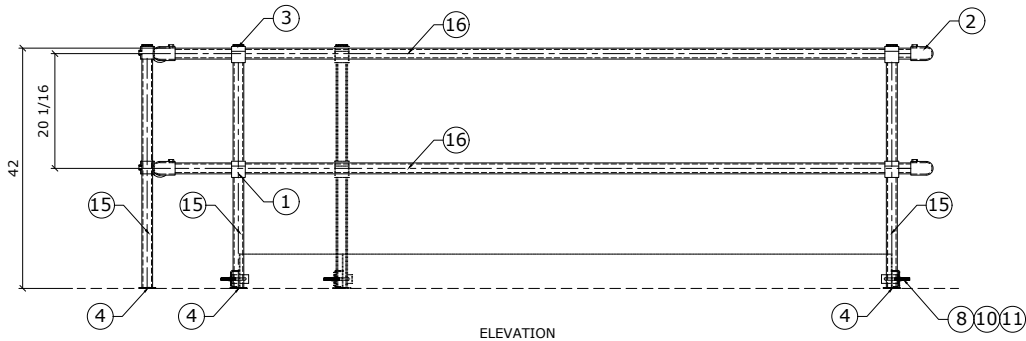
Material Requirements for 5041310

ITEM NO.	QTY REQ'D	PART NUMBER	DESCRIPTION
16	4	UTILIZE	1.9"Ø Round Tube - UV Coated (Parent PN 5001010)
15	6	UTILIZE	1.9"Ø Round Tube - UV Coated (Parent PN 5001010)
14	2	UTILIZE	1.9"Ø Round Tube - UV Coated (Parent PN 5001010)
12	4	UTILIZE	1.9"Ø Round Tube - UV Coated (Parent PN 5001010)
11	12	785200	3/8" Ø Washer
10	12	784200	3/8" Ø Nut
9	4	754520	3/8" Ø x 1 Lg. Bolt
8	4	793114	McMaster 3/8"Ø x 4" U-Bolt Zinc Plated PN 8875T858
7	4	793112	Garlock Angle Bracket Zinc Dichromate
6	2	793110	Garlock Hatch Channel - 53.25" Galvanized
5	1	793115	Garlock Self Closing Gate 30"-36" Yellow
4	6	793113	Caplugs Yellow Flanged Plug WWX-17
3	10	7926150	End Cap - UV Coated
2	8	793125	Two Way Elbow
1	12	793201	Open Cross Over

WEIGHT = 176 LBS



REV	DESCRIPTION	DATE	BY	HATCH GUARD	
0	ECN 173	09/20/17	CS	SCALE: N.T.S.	DATE: 09/20/17
				DRAWING NUMBER: 5041310	DRAWN: CS
				SHEET 1 OF 4	



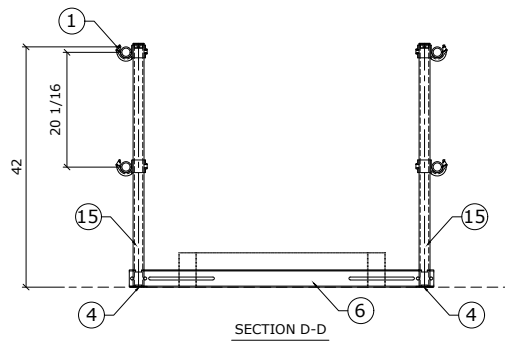
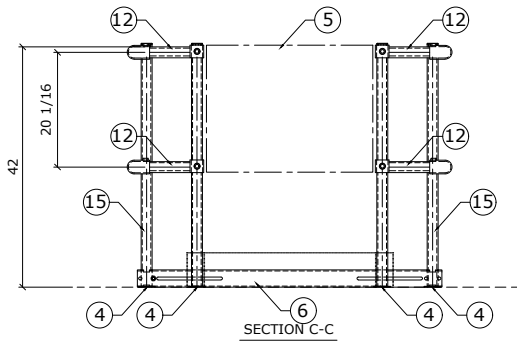
ELEVATION



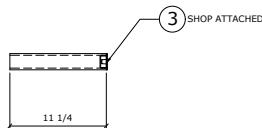
REV	DESCRIPTION	DATE	BY	HATCH GUARD	
0	ECN 173	09/20/17	CS	SCALE: N.T.S.	DATE: 09/20/17
				DRAWING NUMBER: 5041310	DRAWN: CS
				SHEET 2 OF 4	

Installation Drawings

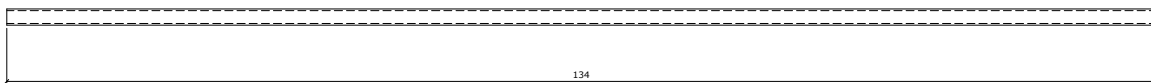
DYNAROUND HATCH GUARD 30 - 36 X 96 - 114 - PN 5041310 (CONTINUED)



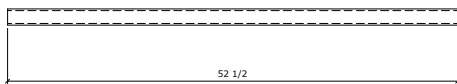
REV	DESCRIPTION	DATE	BY	HATCH GUARD			
0	ECN 173	09/20/17	CS	SCALE	N.T.S.	DATE: 09/20/17	DRAWN: CS
				DRAWING NUMBER	5041310		SHEET 3 OF 4



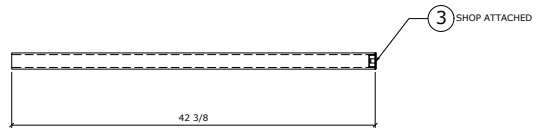
1.9"Ø ROUND TUBE (12)



1.9"Ø ROUND TUBE (16)



1.9"Ø ROUND TUBE (14)



1.9"Ø ROUND TUBE (15)



REV	DESCRIPTION	DATE	BY	HATCH GUARD			
0	ECN 173	09/20/17	CS	SCALE	N.T.S.	DATE: 09/20/17	DRAWN: CS
				DRAWING NUMBER	5041310		SHEET 4 OF 4

Installation Drawings

DYNAROUND HATCH GUARD 42 - 48 X 42 - 60 - PN 5041410

PLAN VIEW

DynaRound RG Hatch Guard - 42-48 x 42-60

PN 5041410 (ASSEMBLY)

FIND ELECTRIC COPY AT:
\\stv-dc\DATA\Engineering\Fabrication Engineering\ECN

Material Requirements for 5041410

ITEM NO.	QTY REQ'D	PART NUMBER	DESCRIPTION
21	2	793111	Garlock Hatch Channel - 65.25" Galvanized
20	2	UTILIZE	1.9"Ø Round Tube - UV Coated (Parent PN 5001010)
19	4	UTILIZE	1.9"Ø Round Tube - UV Coated (Parent PN 5001010)
18	4	UTILIZE	1.9"Ø Round Tube - UV Coated (Parent PN 5001010)
15	6	UTILIZE	1.9"Ø Round Tube - UV Coated (Parent PN 5001010)
11	12	785200	3/8" Ø Washer
10	12	784200	3/8" Ø Nut
9	4	754520	3/8" Ø x 1 Lg. Bolt
8	4	793114	McMaster 3/8"Ø x 4" U-Bolt Zinc PLATED PN 8875T858
7	4	793112	Garlock Angle Bracket Zinc Dichromate
5	1	793115	Garlock Self Closing Gate 30"-36" Yellow
4	6	793113	Caplugs Yellow Flanged Plug WWX-17
3	10	7926150	End Cap - UV Coated
2	8	793125	Two Way Elbow
1	12	793201	Open Cross Over

WEIGHT = 163 LBS

REV	DESCRIPTION	DATE	BY
0	ECN 173	09/20/17	CS

HATCH GUARD		SCALE	DATE	DRAWN
		N.T.S.	09/20/17	CS

DRAWING NUMBER
5041410

SHEET
1 OF 4

ELEVATION

WEIGHT = 163 LBS

REV	DESCRIPTION	DATE	BY
0	ECN 173	09/20/17	CS

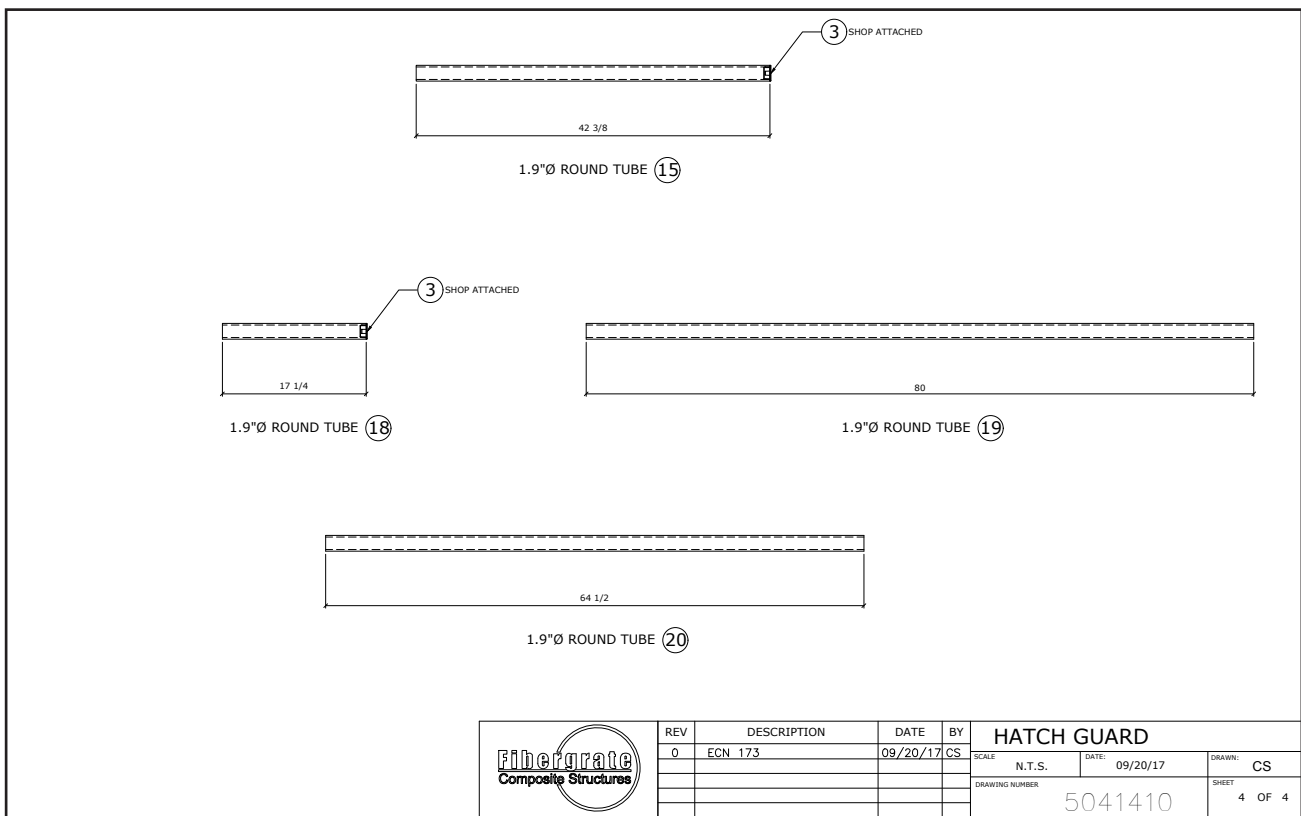
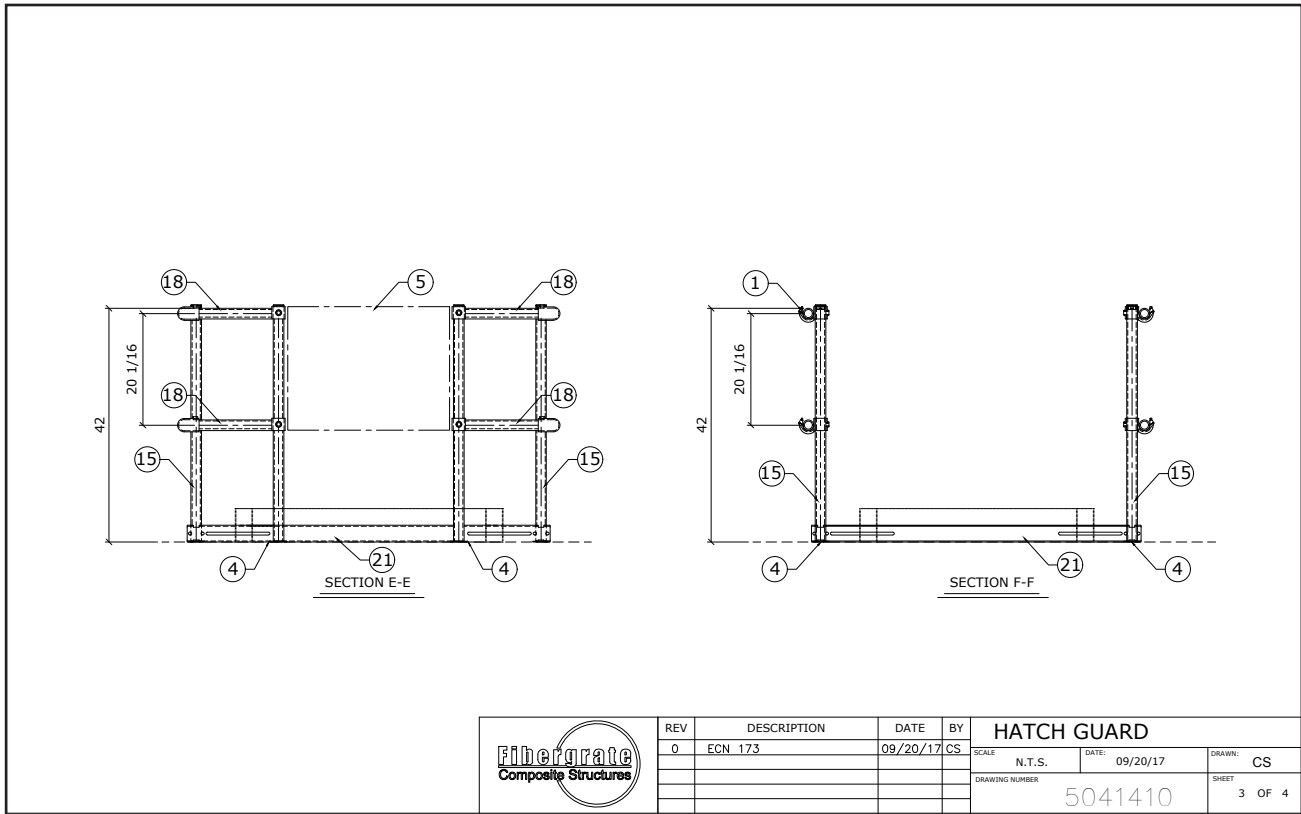
HATCH GUARD		SCALE	DATE	DRAWN
		N.T.S.	09/20/17	CS

DRAWING NUMBER
5041410

SHEET
2 OF 4

Installation Drawings

DYNAROUND HATCH GUARD 42 - 48 X 42 - 60 - PN 5041410 (CONTINUED)



Phone: 972-250-1633
Fax: 972-250-1530



www.fibergrate.com



info@fibergrate.com

Fibergrate Composite Structures Inc. believes the information contained here to be true and accurate. Fibergrate makes no warranty, expressed or implied based on this literature and assumes no responsibility for consequential or incidental damages in the use of these products and systems described, including any warranty of merchantability or fitness. Information contained here is for evaluation only.
©Fibergrate Inc. 2015 - Part No. 883304-11/17 - DynaRound-Hatch-Guard-System-Installation-Instructions.pdf

